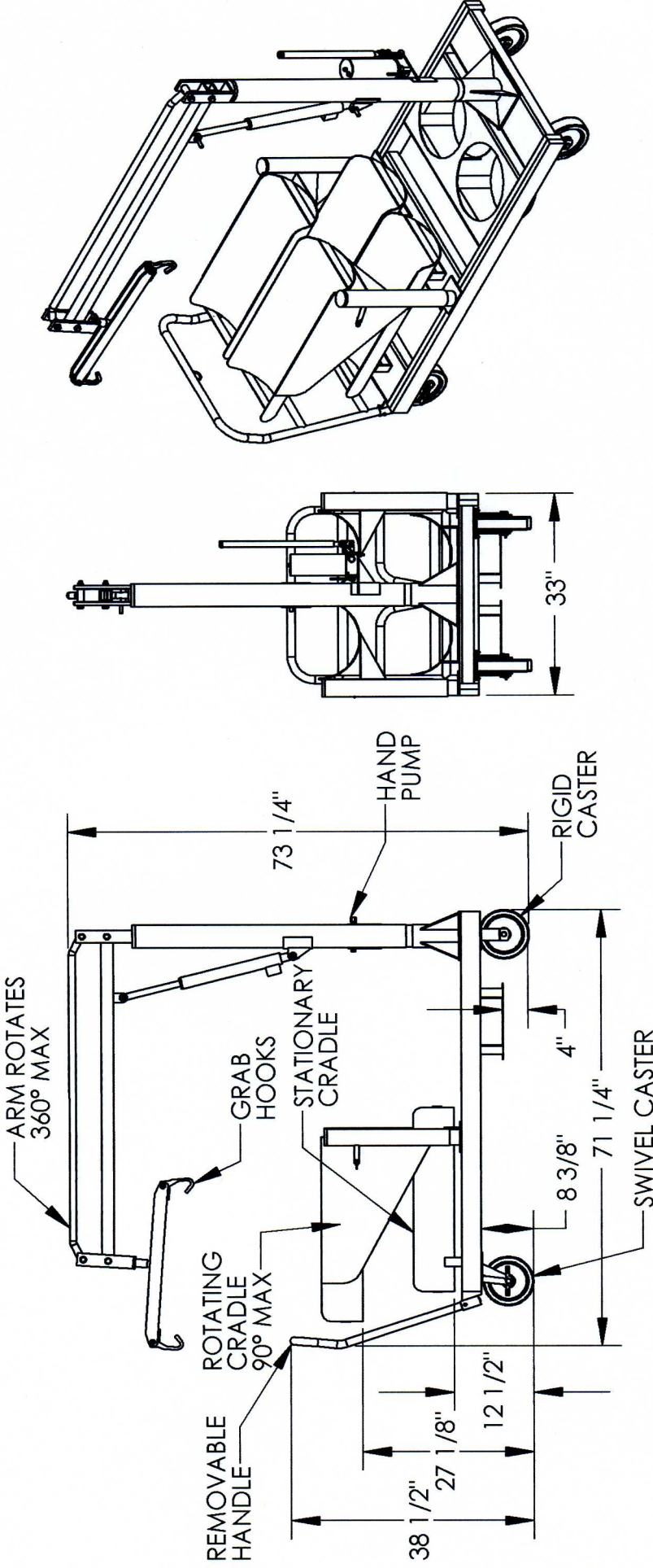


# LP TANK TRUCK - LP-6

APPROXIMATE WEIGHT IS: 655.52 lbs.

\*\*\* ANY ADDITIONS, DELETIONS, OR OMISSIONS MUST BE CORRECTED ON THIS DRAWING AS THIS DRAWING WILL BE CONSIDERED ALL INCLUSIVE \*\*\*  
 ALL GRAPHICS PROVIDED ARE FOR REFERENCE ONLY. IF CERTAIN DIMENSIONS ARE CRITICAL PLEASE VERIFY THOSE DIMENSIONS WITH YOUR SALESPERSON



## STANDARD FEATURES

- MODEL NUMBER: LP-6
- STORAGE CAPACITY: 6 LP TANKS
- OVERALL WIDTH: 33"
- OVERALL LENGTH: 71 1/4"
- OVERALL HEIGHT: 73 1/4"
- GROUND CLEARANCE: 4" AT REAR OF UNIT  
8 3/8" AT FRONT OF UNIT
- 8 X 2 GLASS FILLED NYLON CASTERS:  
TWO SWIVEL W/BRAKE, TWO RIGID

## SPECIAL FEATURES

NONE

**APPROVAL**

I, the undersigned, hereby approve this print.  
 This includes my approval of design & dimensions

[ ] As drawn [ ] As marked

Signed: \_\_\_\_\_ Date: \_\_\_\_\_

LEAD TIME WILL START UPON RECEIPT  
 OF SIGNED APPROVAL DRAWING

DISTRIBUTOR'S NAME: **VEHICLE MANAGEMENT**

P.O.# X

W.O.# X

SALES: X

DATE: 01/26/06

SCALE: 1:24

REFERENCE: 33-001-146

QUOTE # X

FILE NAME: 33-007-146

**ALL SPECIAL UNITS  
 ARE NON-RETURNABLE**